



# NESSCAP® Ultracapacitor Products

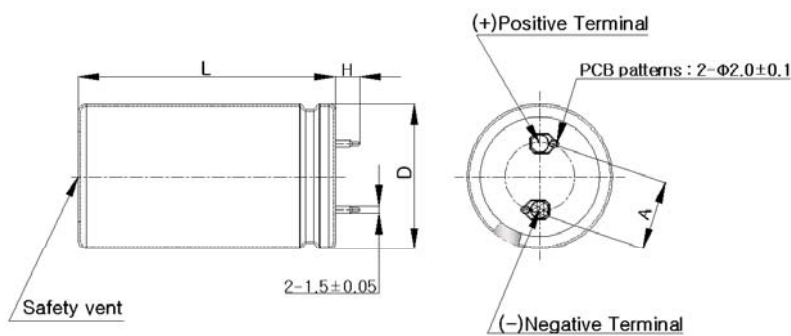
## Features

**Pseudocapacitor**  
**Two snap-in terminals and radial design**  
**Compliant with RoHS requirement ( Ex : Cd, Pb)**



## Dimension

Dimension in mm (not to scale)



Capacitance (F)	Dimension (mm)			
	D (+1.0)	L (+2.0)	H (±1.0)	A (±0.2)
220	22	45	6.0	10.0
300	22	45	6.0	10.0

## Product & Spec.

Rated Capacitance (F)	Internal Resistance (mΩ)		Max. Current (A)	Leakage Current (mA)	Stored Energy (Wh)	Specific Energy (Wh/kg)	Max. Weight (g)	Part Number
	AC(1kHz)	DC						
220	< 14	< 21	45.0	< 0.52	0.162	7.04	23.0	PSHLR-0220C0-002R3
300	< 12	< 18	53.9	< 0.96	0.220	8.73	25.2	PSHLR-0300C0-002R3

Rated Voltage, $V_R$	2.3 V	
Surge Voltage	2.5 V	
Capacitance Tolerance	-10% / +20%	
Operating Temperature Range	-25 ~ 60 °C	$\Delta C$   < 30% and $\Delta ESR$ < 4 times of initially measured value at 25°C, respectively
Storage Temperature Range	-30 ~ 70 °C	
Life Time at RT <sup>(1)</sup>	10 years	(1)   $\Delta C$   < 30% and $\Delta ESR$ < 2 times of initially specified value, respectively and LC < specified value
Cycle Life (25°C) <sup>(1)(2)</sup>	100,000 cycles	(2) Cycle : between rated voltage and half rated voltage under constant current at 25°C

※ Life time is provisional value

© NESSCAP 2008. All Rights reserved. Design, Specifications are subjected to change without notice.

Nesscap Co., Ltd.  
 (446-901) 750-8, Gomae-dong, Giheung-gu, Yongin-si, Gyeonggi-do, Korea  
 Tel: +82-31-289-0721 Fax: +82-31-286-6767 e-mail: marketing@nesscap.com  
[www.nesscap.com](http://www.nesscap.com)

ISO 9001, ISO 14001, TS 16949